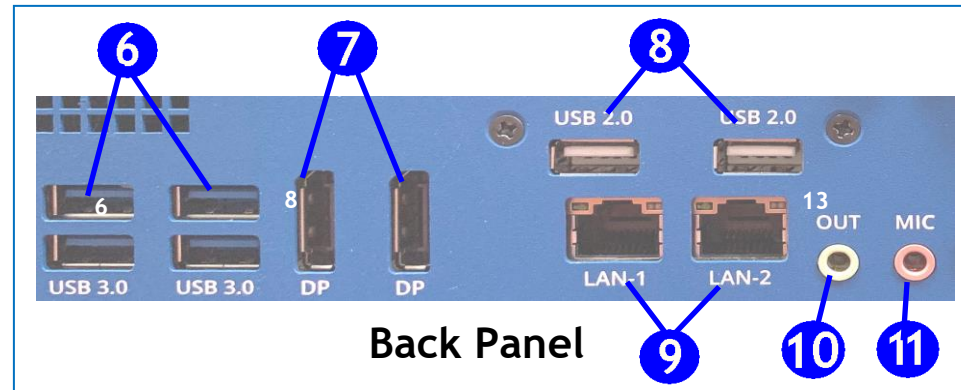
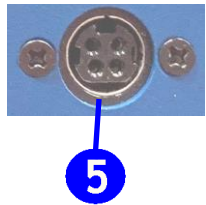
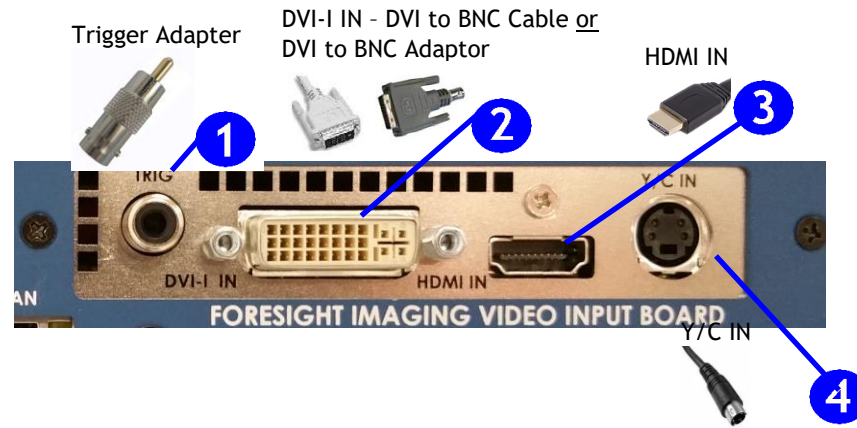


# TIMS MVP™ Setup and Shortcuts Card

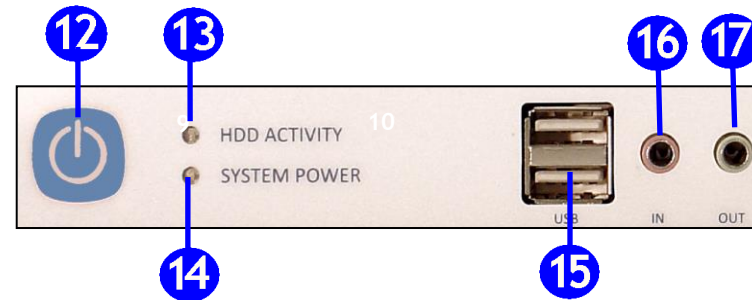
## GET CONNECTED

### MODALITY CONNECTION HARDWARE

- |   |   |
|---|---|
| 1 | Trigger Adapter   |
| 2 | DVI to BNC Cable <u>or</u> DVI to BNC Adaptor <u>or</u> DVI to DVI Cable (optional)                     |
| 3 | DVI-D to HDMI cable (optional) <u>or</u> HDMI to HDMI cable (optional)                                  |
| 4 | S-video to S-video cable <u>or</u> for composite color an S-video to composite color adaptor (optional) |



Back Panel



Front Panel

### MODALITY CONNECTIONS

- |   |  |
|---|--|
| 1 | Trigger In                                 |
| 2 | RGB, DVI, or Monochrome In                 |
| 3 | HDMI In                                    |
| 4 | Y/C In: S-Video or Composite Color NTSC or |

### PC CONNECTIONS

- |    |  |
|----|--|
| 5  | External Power Supply  |
| 6  | USB 3.0 for higher speed DVD drives, keyboard and mouse                          |
| 7  | DisplayPort Out- right DP is the primary   |
| 8  | USB 2.0 for keyboard and mouse   |
| 9  | LAN-1 for network; LAN-2 is not typically used - available for accessory devices |
| 10 | Speakers Output  |
| 11 | Microphone In  |
| 12 | Standby Switch   |
| 13 | Hard Drive Activity LED  |
| 14 | Power On LED   |
| 15 | USB for keyboard and mouse   |
| 16 | Microphone In  |
| 17 | Speakers Output  |



# TIMS MVP Shortcut Keys - Sorted by Function

Shortcut	Action
<b>Capture</b>	
<b>F12</b>	Snap single image frame
<b>SPACEBAR</b>	Start/Stop record
<b>Editing</b>	
<b>DELETE</b>	Delete selected study or image
<b>CTRL</b> + <b>←</b>	Move to first frame of series
<b>CTRL</b> + <b>→</b>	Move to last frame of series
<b>I</b>	Set trim start
<b>I</b>	Set trim end
<b>CTRL</b> + <b>T</b>	Split a series view into two views
<b>CTRL</b> + <b>U</b>	Combine series view with the next view
<b>CTRL</b> + <b>D</b>	Delete video or image snapshot
<b>TAB</b> / <b>SHIFT</b> + <b>TAB</b>	Next or previous label
<b>Viewing</b>	
<b>CTRL</b> + <b>1</b>	View the Study tab
<b>CTRL</b> + <b>2</b>	View the Series tab
<b>CTRL</b> + <b>3</b>	View the Live tab
<b>CTRL</b> + <b>=</b>	Enlarge/Zoom in
<b>CTRL</b> + <b>-</b>	Shrink/Zoom out
<b>SPACEBAR</b>	Start/Stop play

Shortcut	Action
<b>Operation</b>	
<b>CTRL</b> + <b>O</b>	Open the Study Dashboard to open studies
<b>SHIFT</b> + <b>I</b>	Open the Study Info dialog
<b>CTRL</b> + <b>N</b>	Create a new blank study
<b>CTRL</b> + <b>F4</b>	Close study
<b>CTRL</b> + <b>L</b>	Loop video play mode
<b>SHIFT</b> + <b>←</b>	Skip backward 10 frames
<b>SHIFT</b> + <b>→</b>	Skip forward 10 frames
<b>CTRL</b> + <b>SPACEBAR</b>	Toggle play direction
<b>HOME</b>	Move to start
<b>END</b>	Move to end
<b>CTRL</b> + <b>ALT</b> + <b>C</b>	Copies study info to clipboard
<b>CTRL</b> + <b>C</b>	Copy image to clipboard
<b>CTRL</b> + <b>SHIFT</b> + <b>C</b>	Copy image with Area of Interest
<b>CTRL</b> + <b>F</b>	Flag/Unflag a series to send
<b>CTRL</b> + <b>I</b>	Set timing point
<b>CTRL</b> + <b>I</b>	Clear timing point
<b>ALT</b> + <b>F4</b>	Quit TIMS MVP
<b>Navigation</b>	
<b>↑</b> <b>↓</b>	Move series to series
<b>←</b> <b>→</b>	Move frame to frame